

Carving panel mouldings -Corners

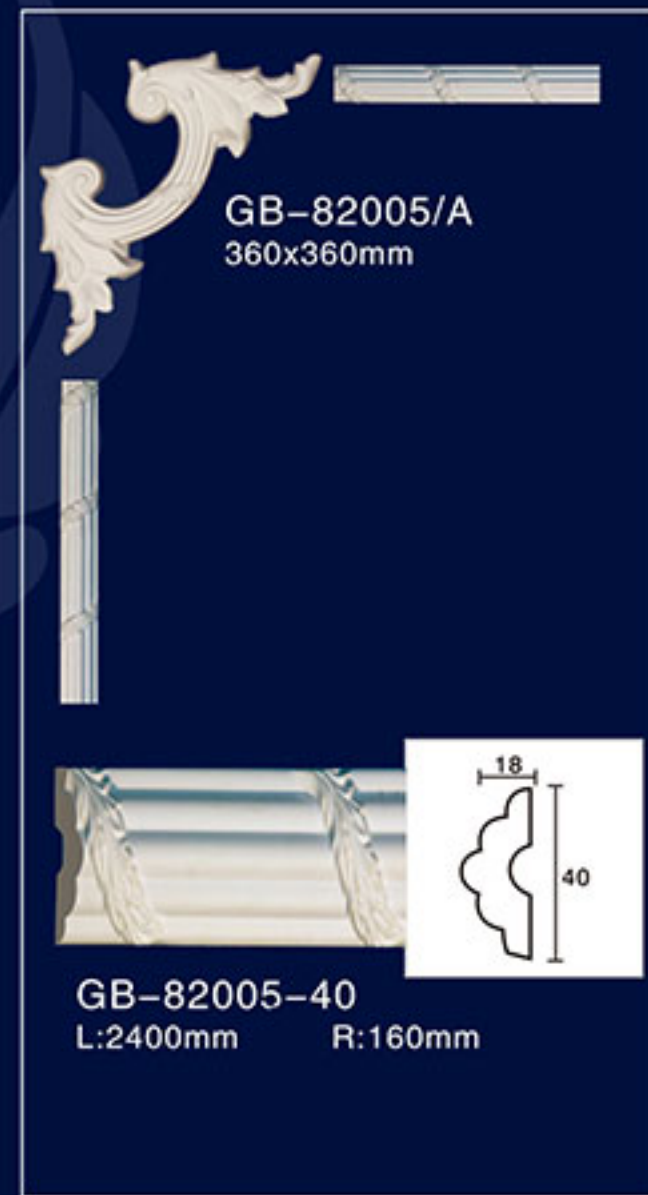
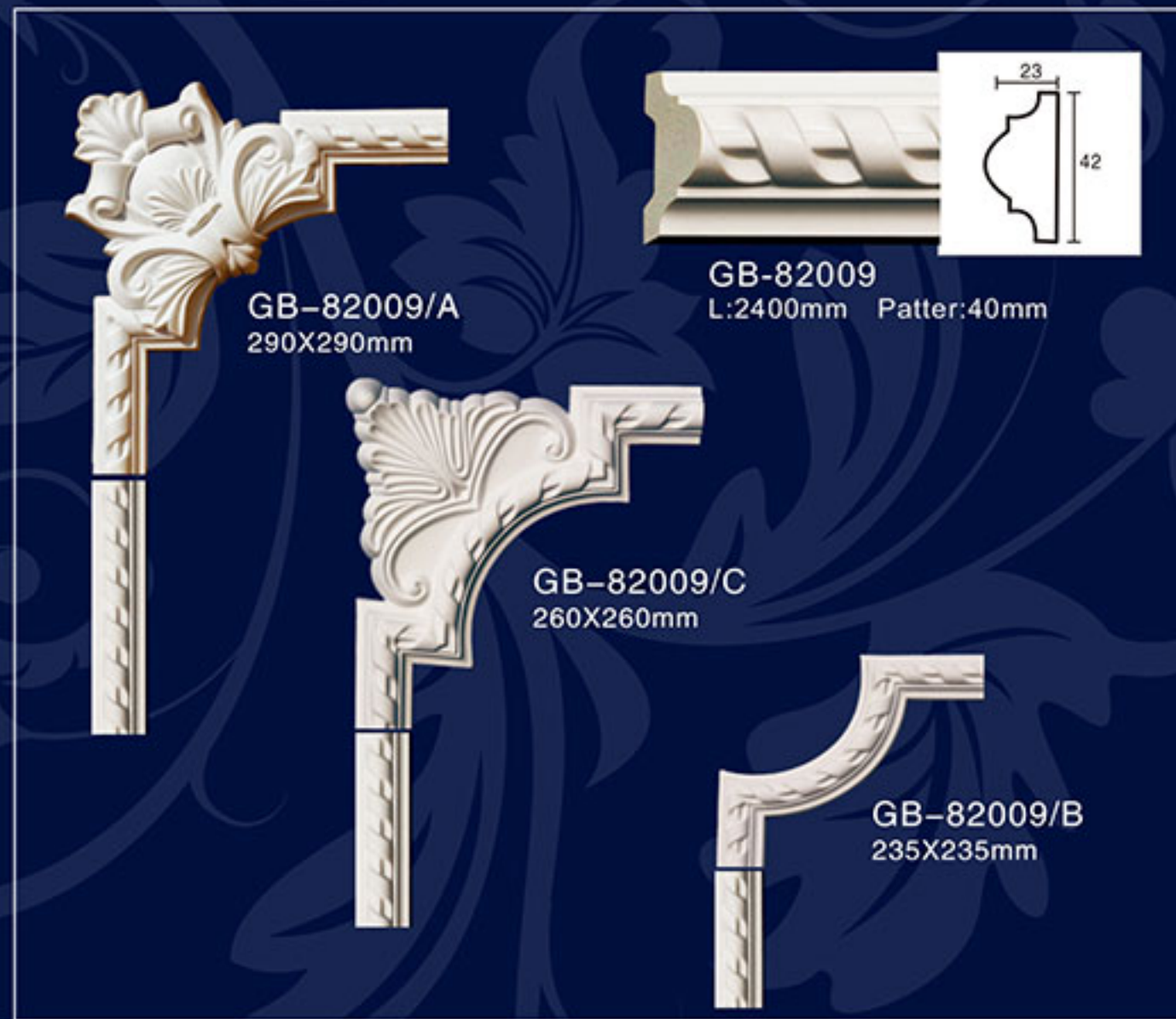
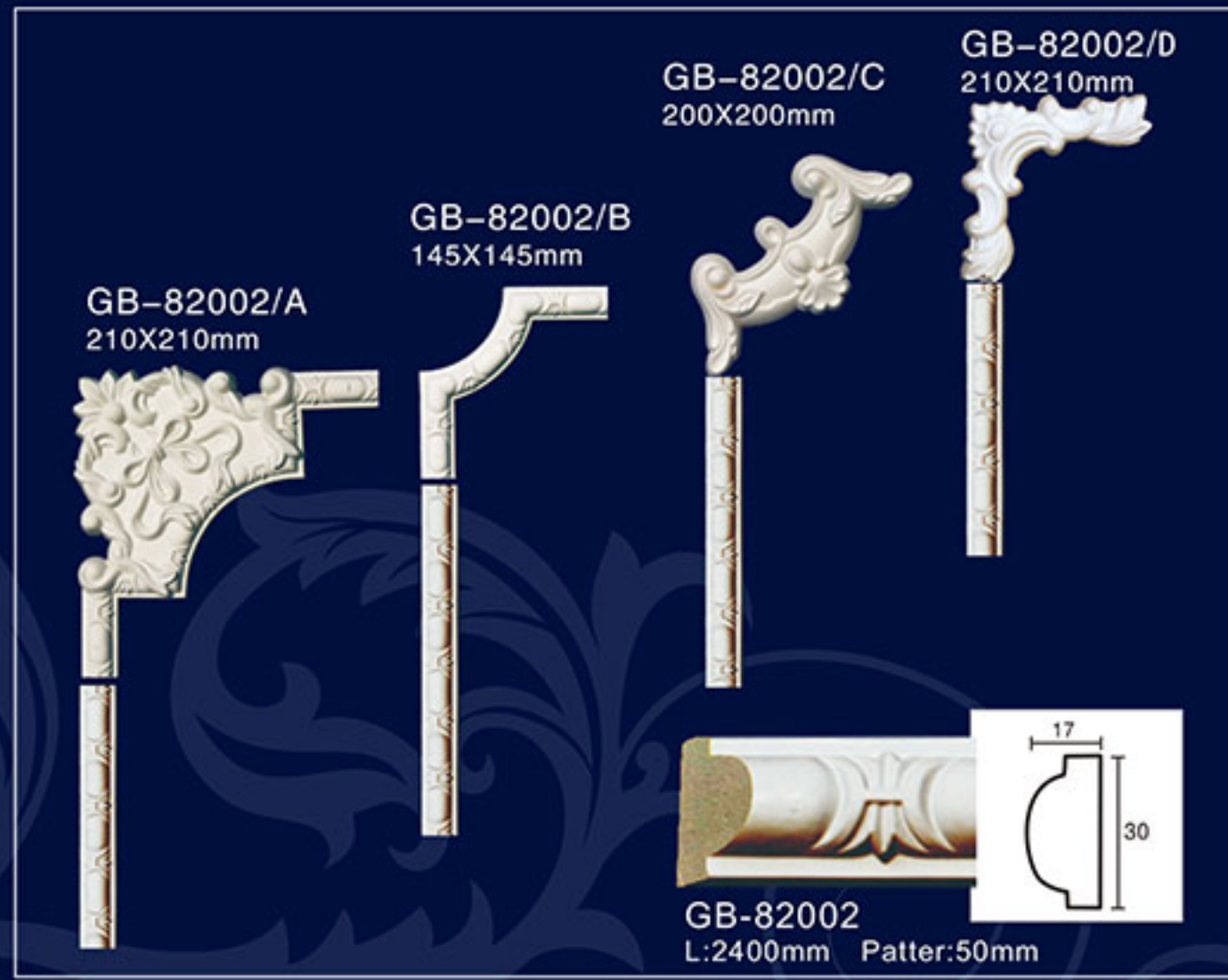
Carving panel mouldings -Corners



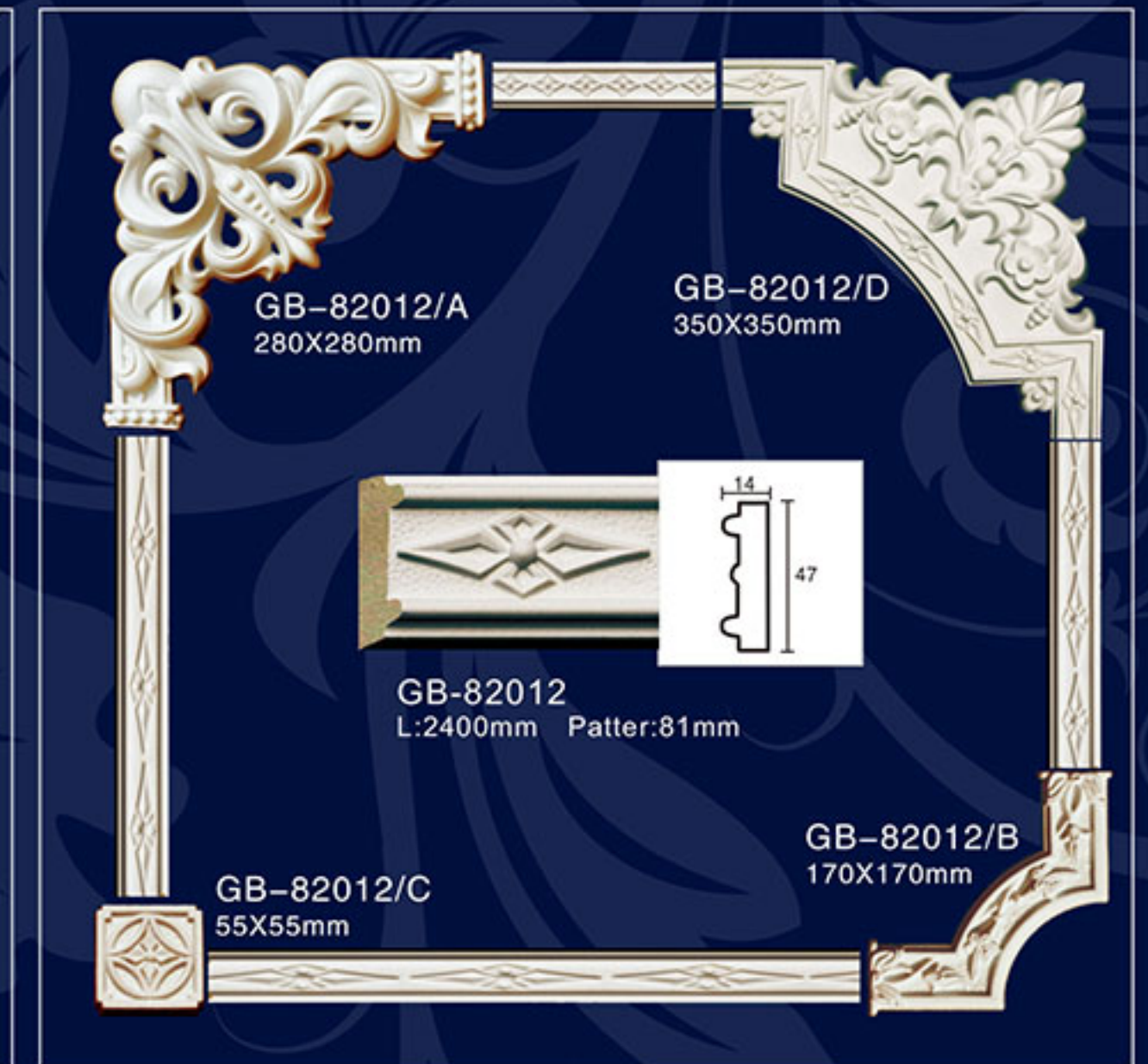
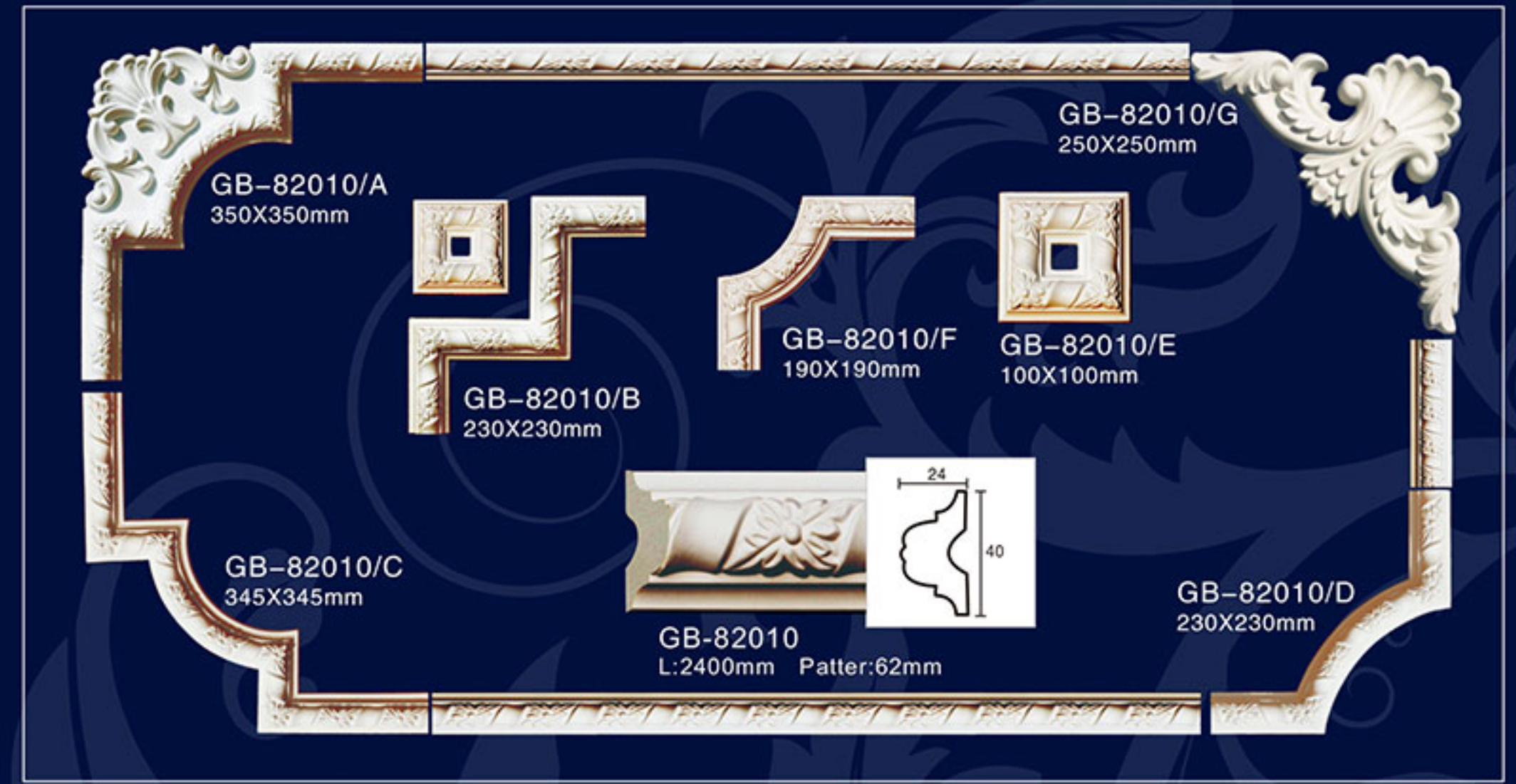
PANEL MOULDINGS
-CORNERS



Carving panel mouldings -Corners

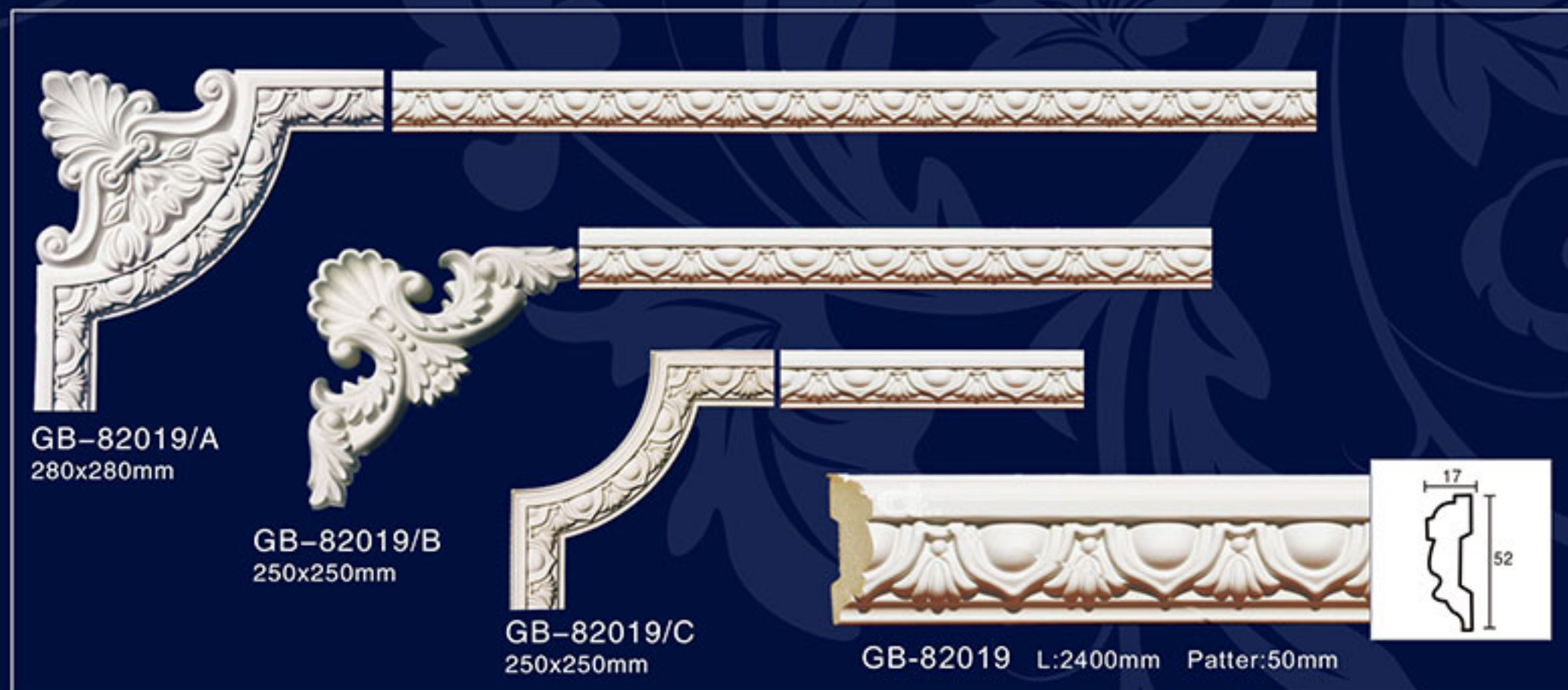
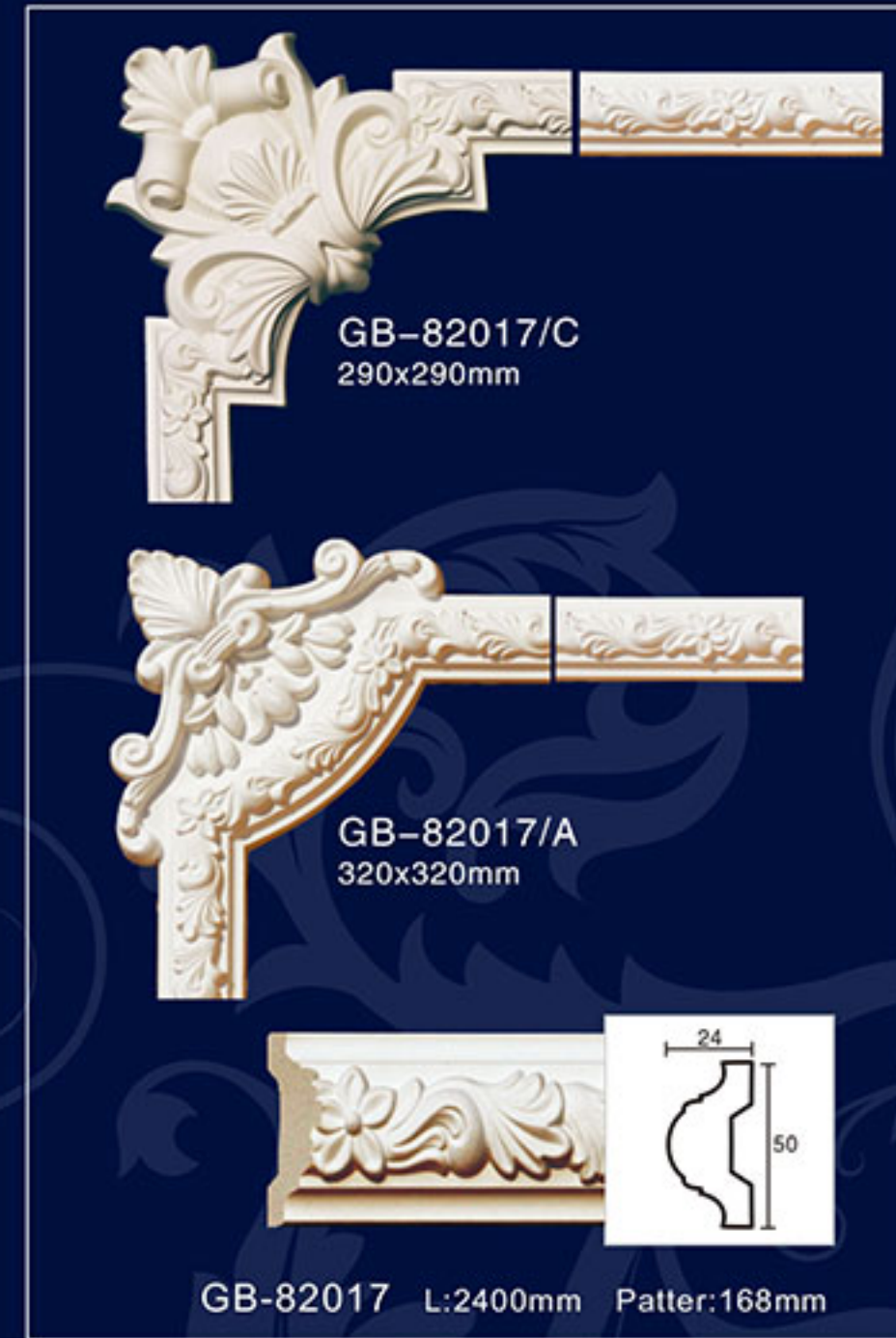


Carving panel mouldings -Corners

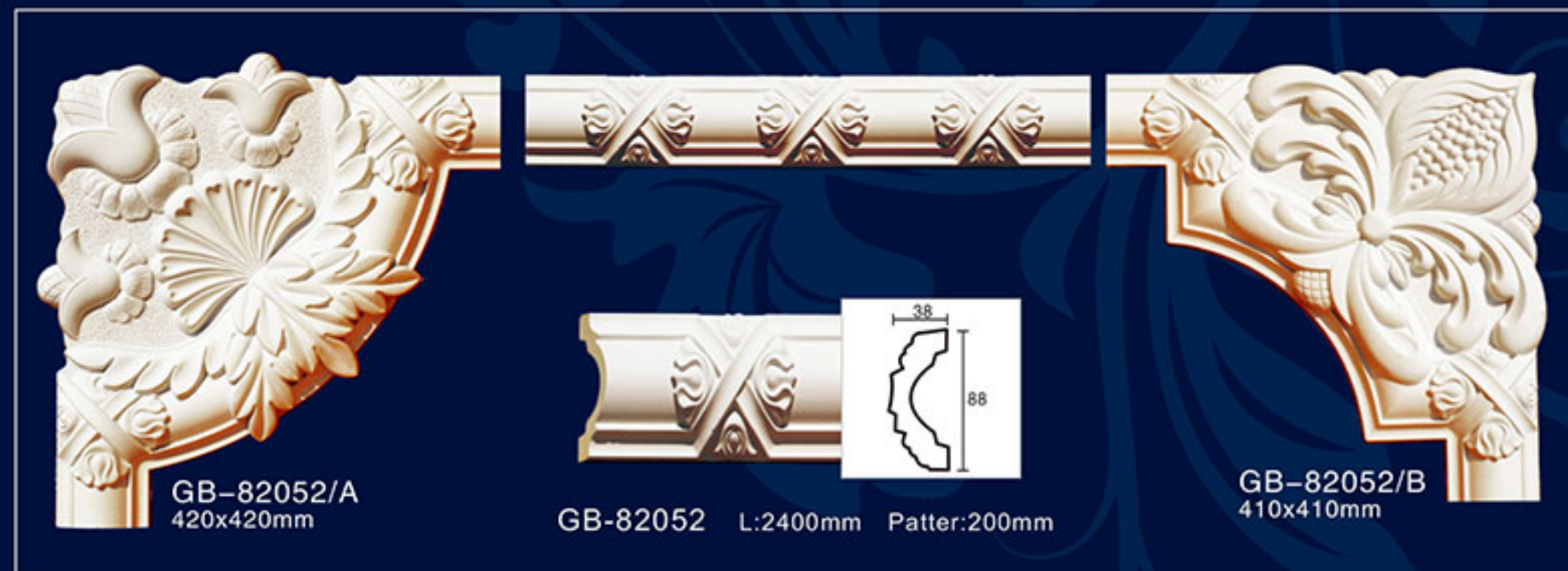
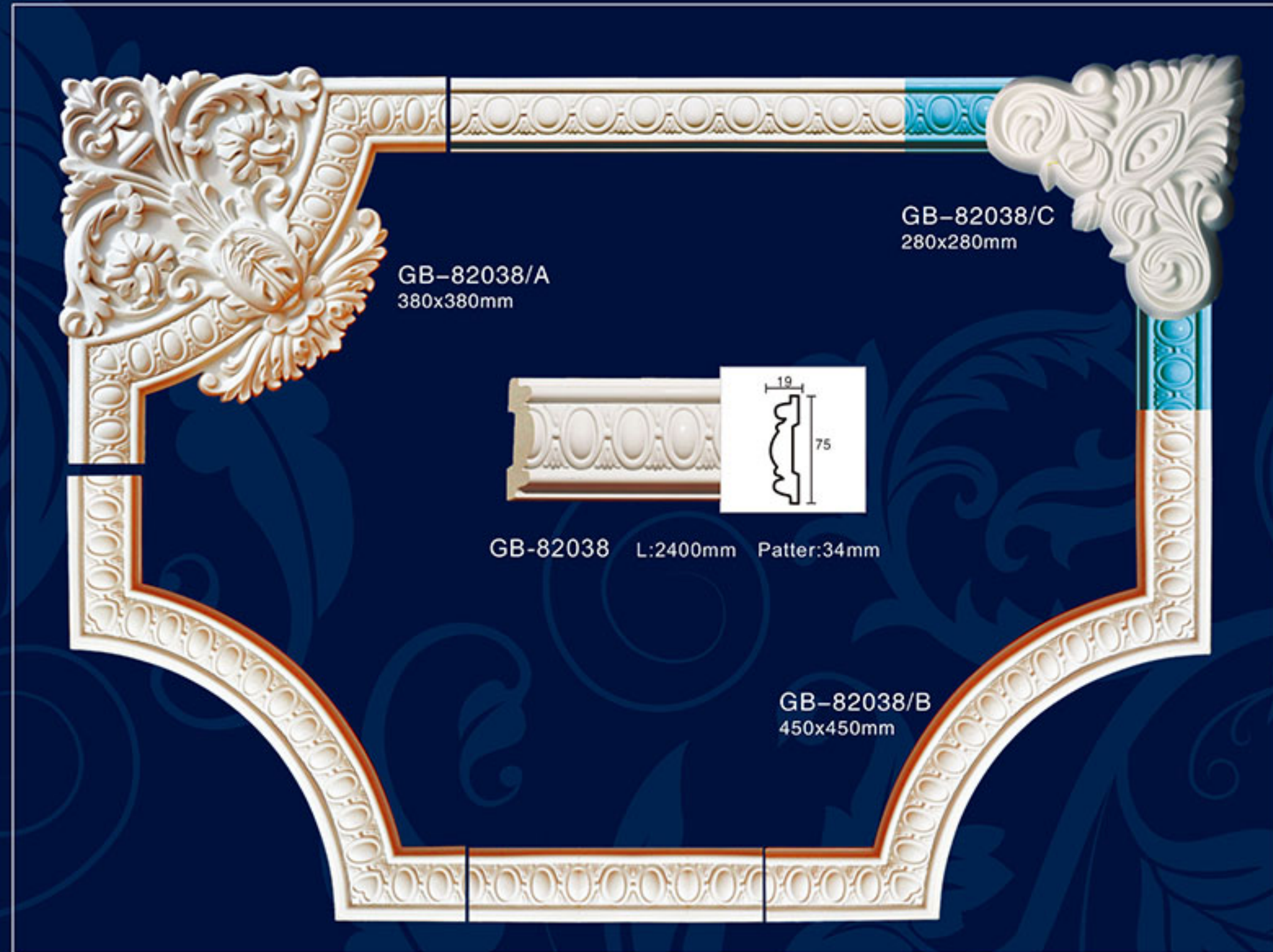


Carving panel mouldings -Corners

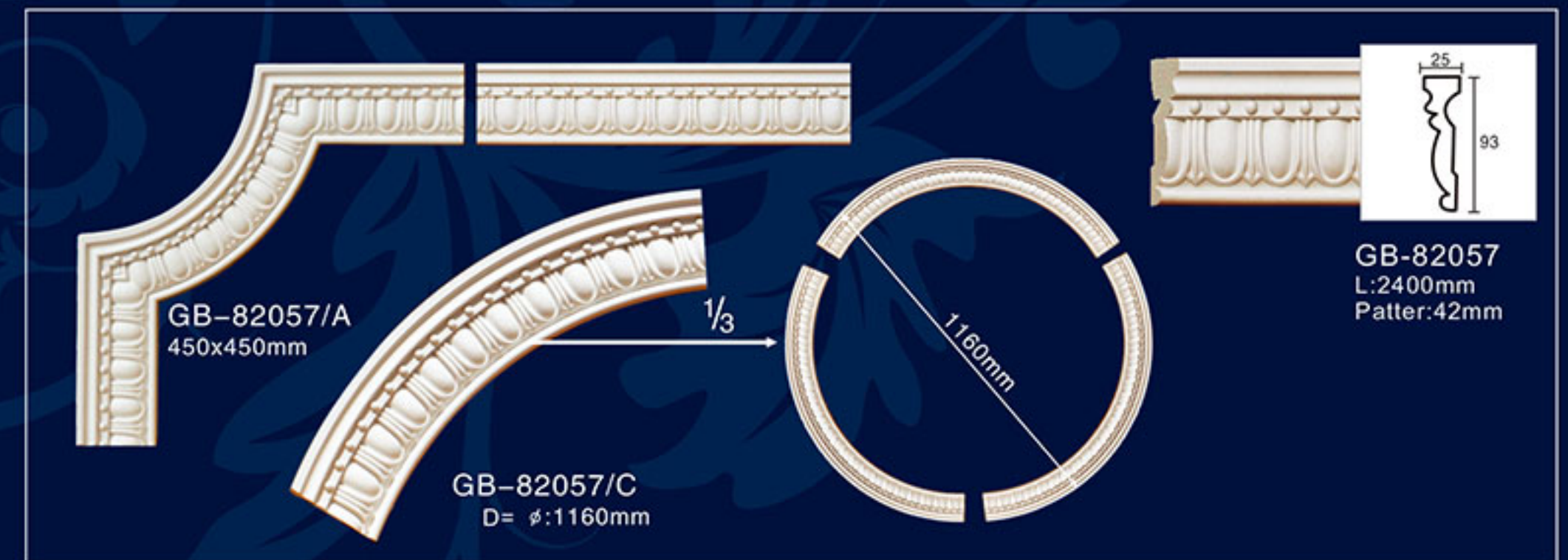
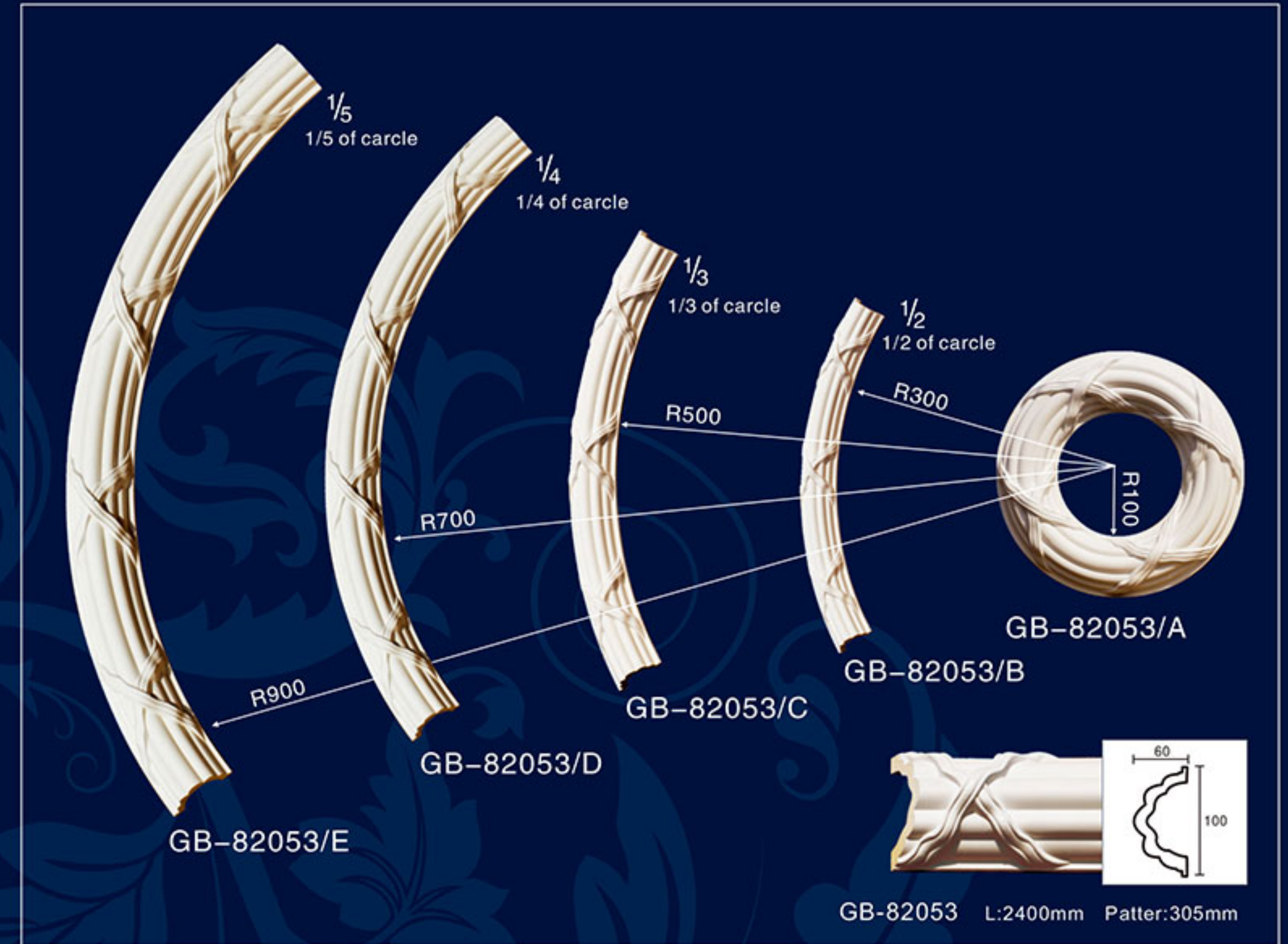
Carving panel mouldings -Corners



Carving panel mouldings -Corners

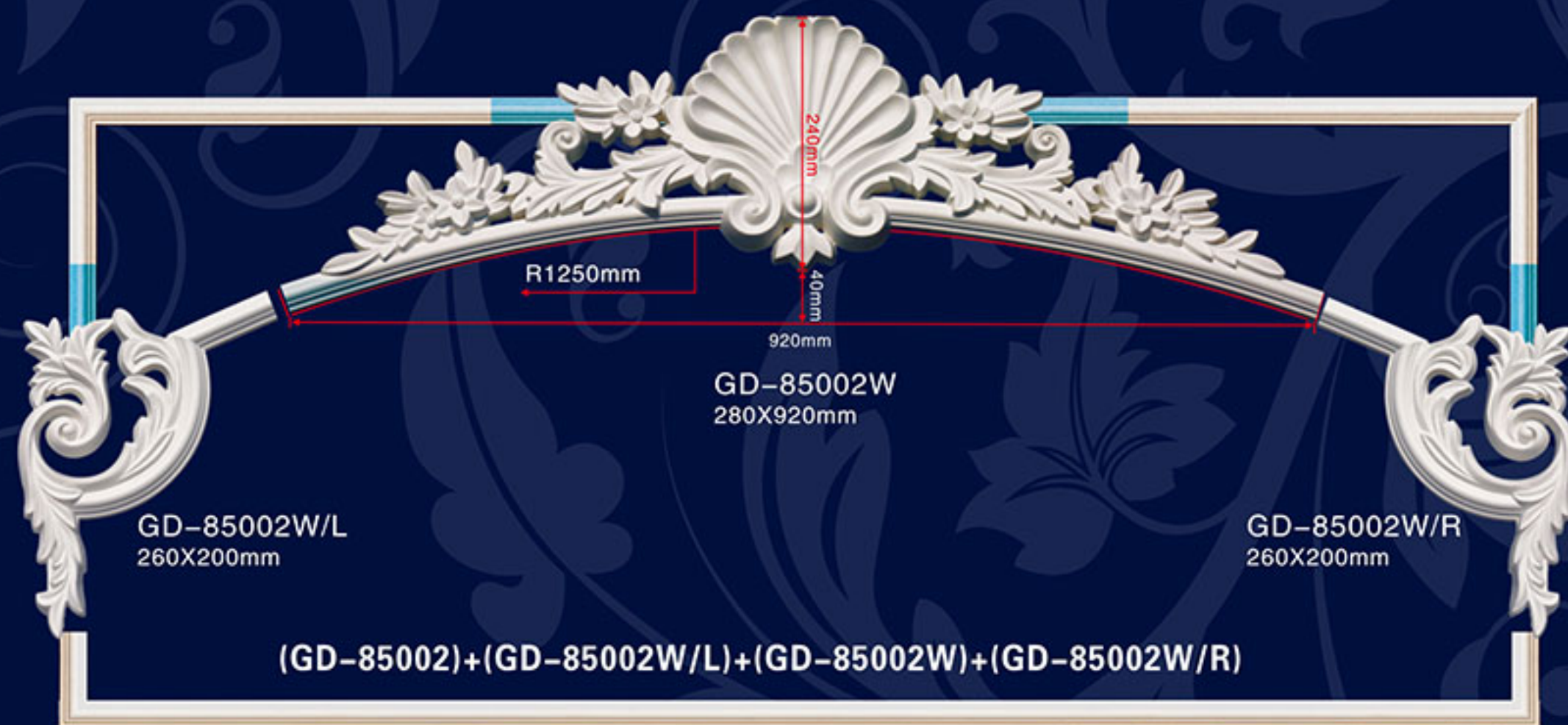
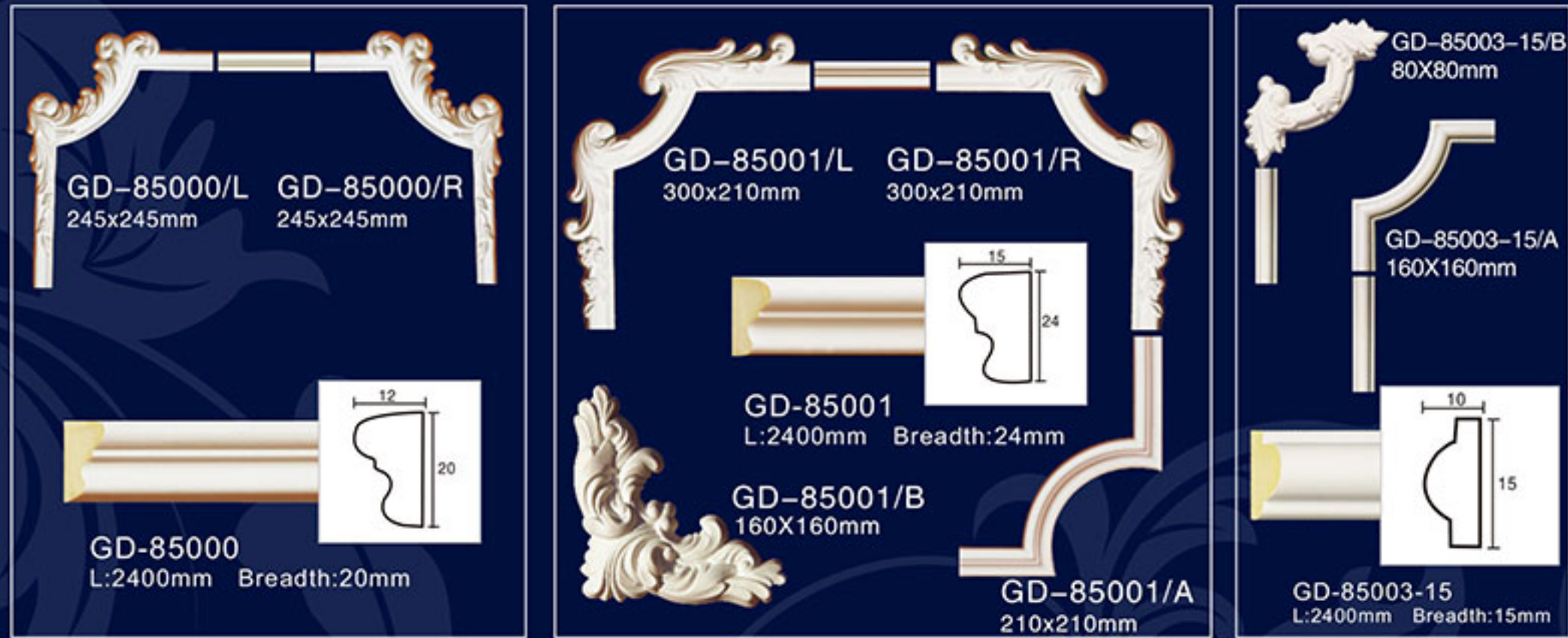


Carving panel mouldings -Corners

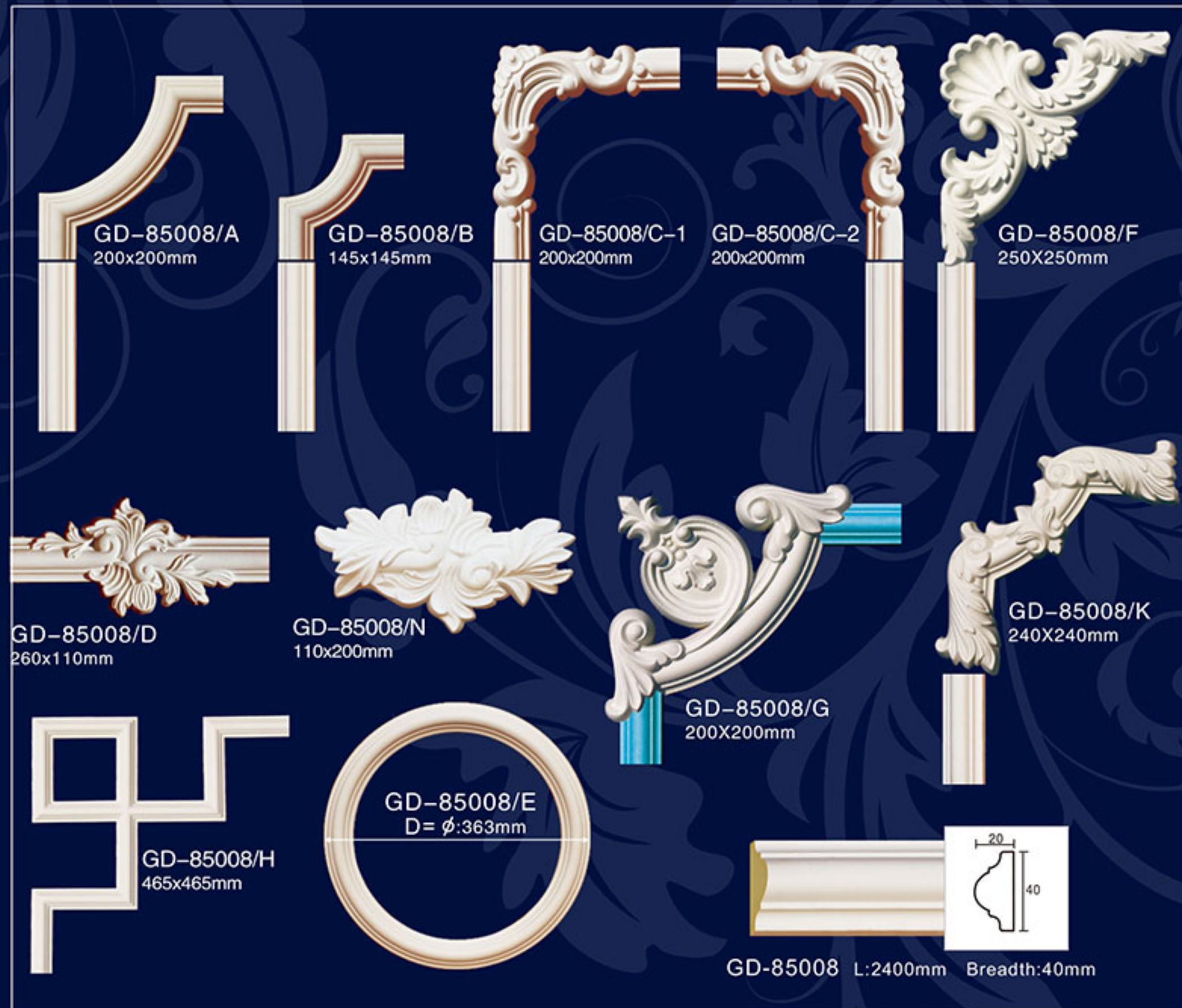


Paine panel mouldings -Corners

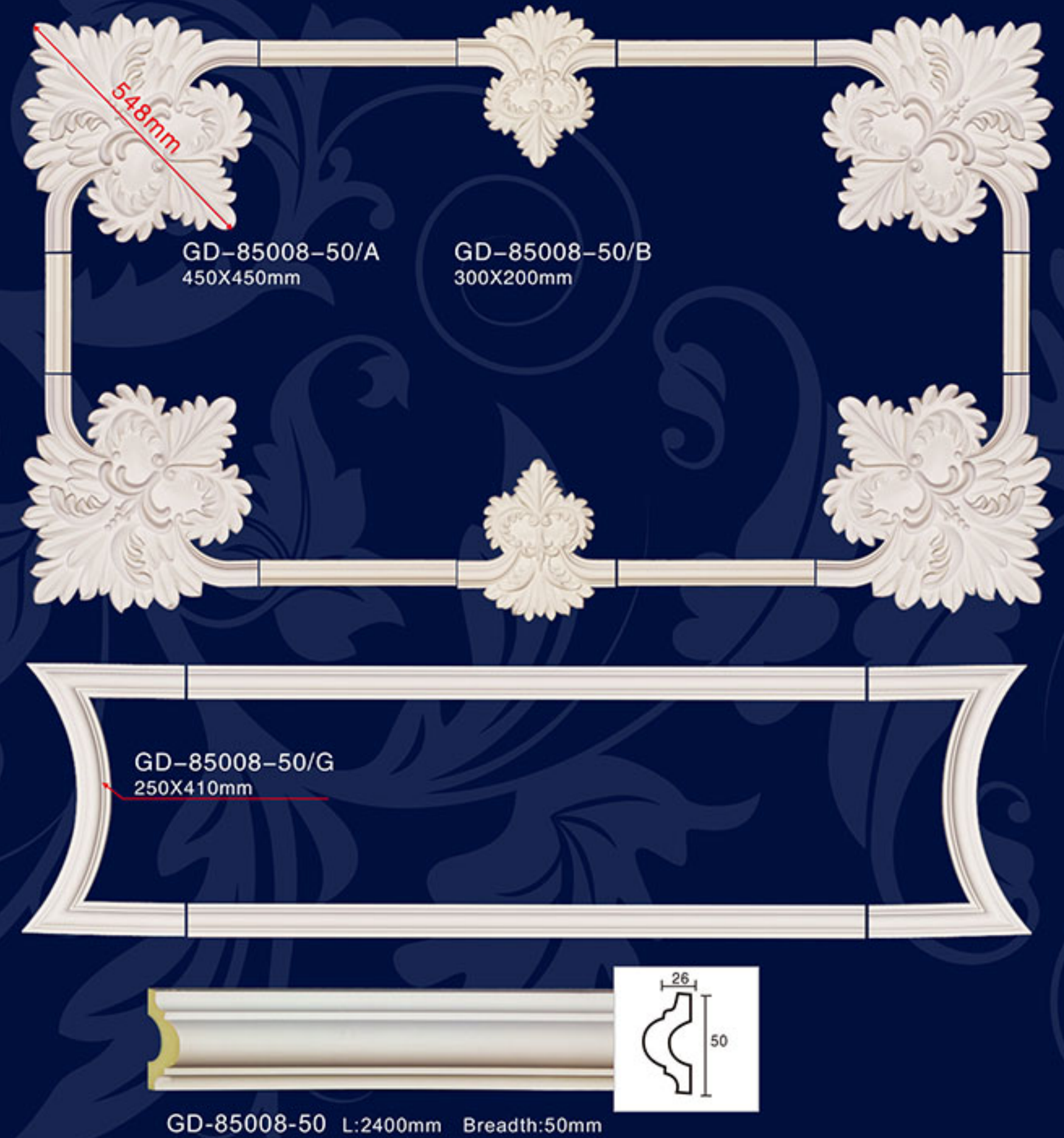
Plain panel mouldings -Corners



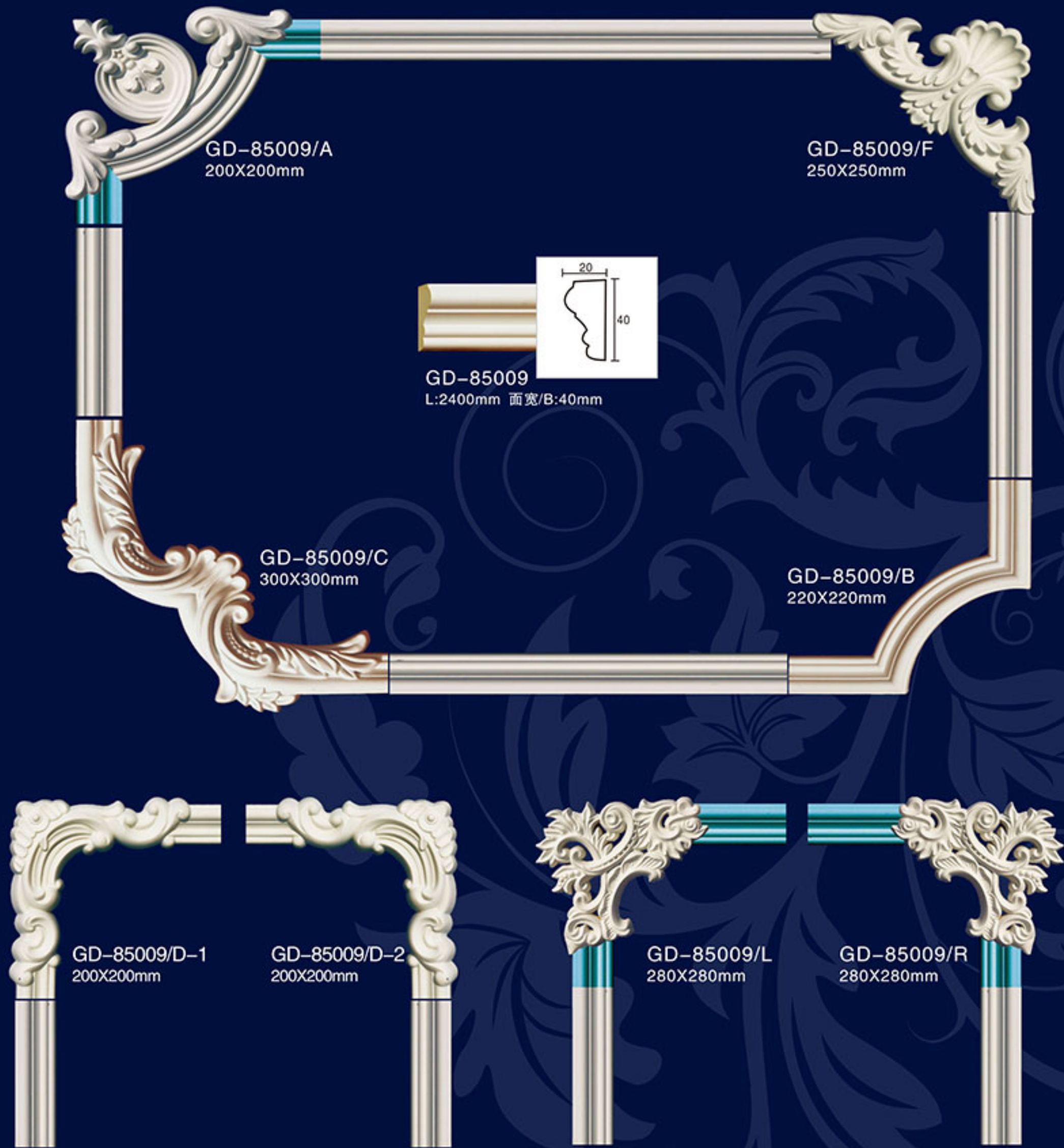
Paine panel mouldings -Corners



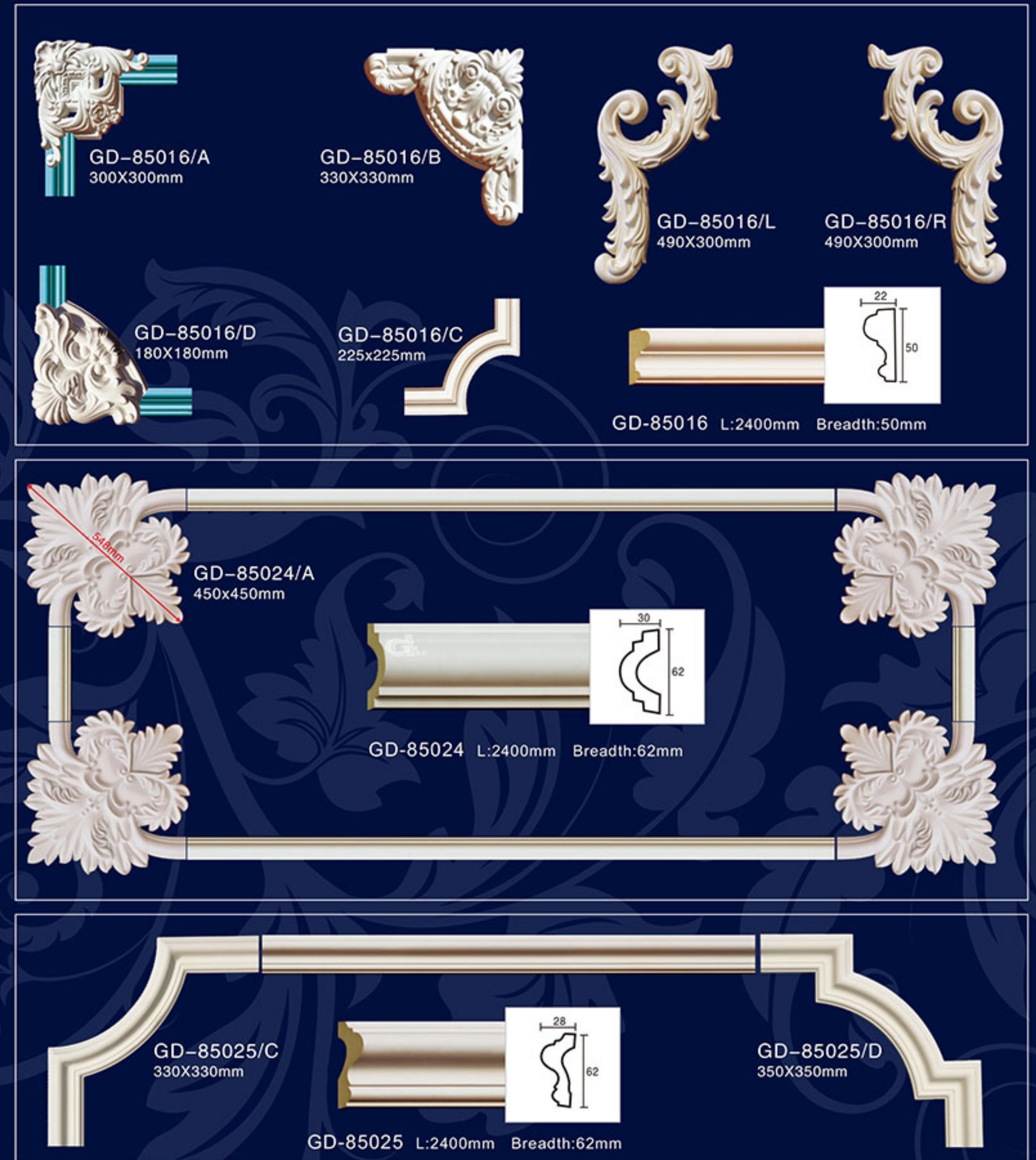
Plain panel mouldings -Corners



Paine panel mouldings -Corners



Plain panel mouldings -Corners



Paine panel mouldings -Corners

Plain panel mouldings -Corners

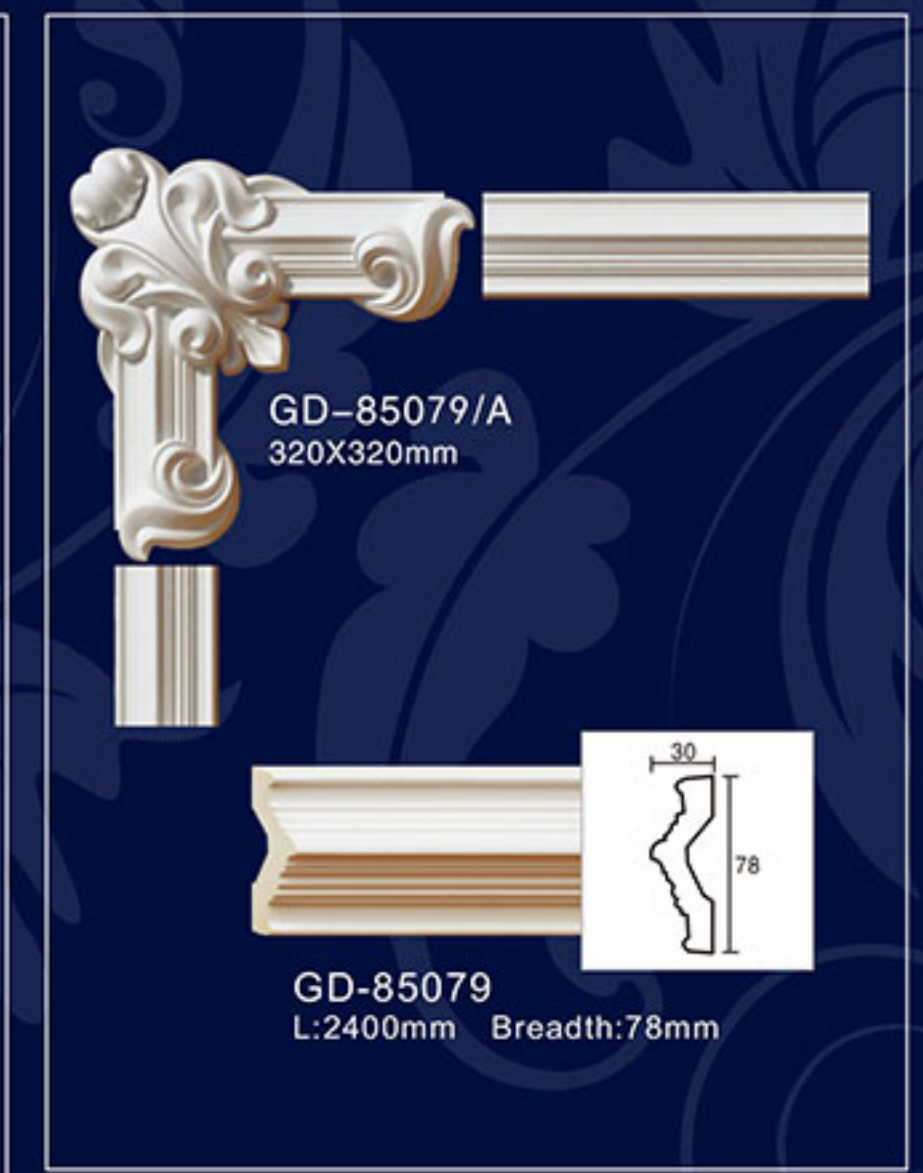
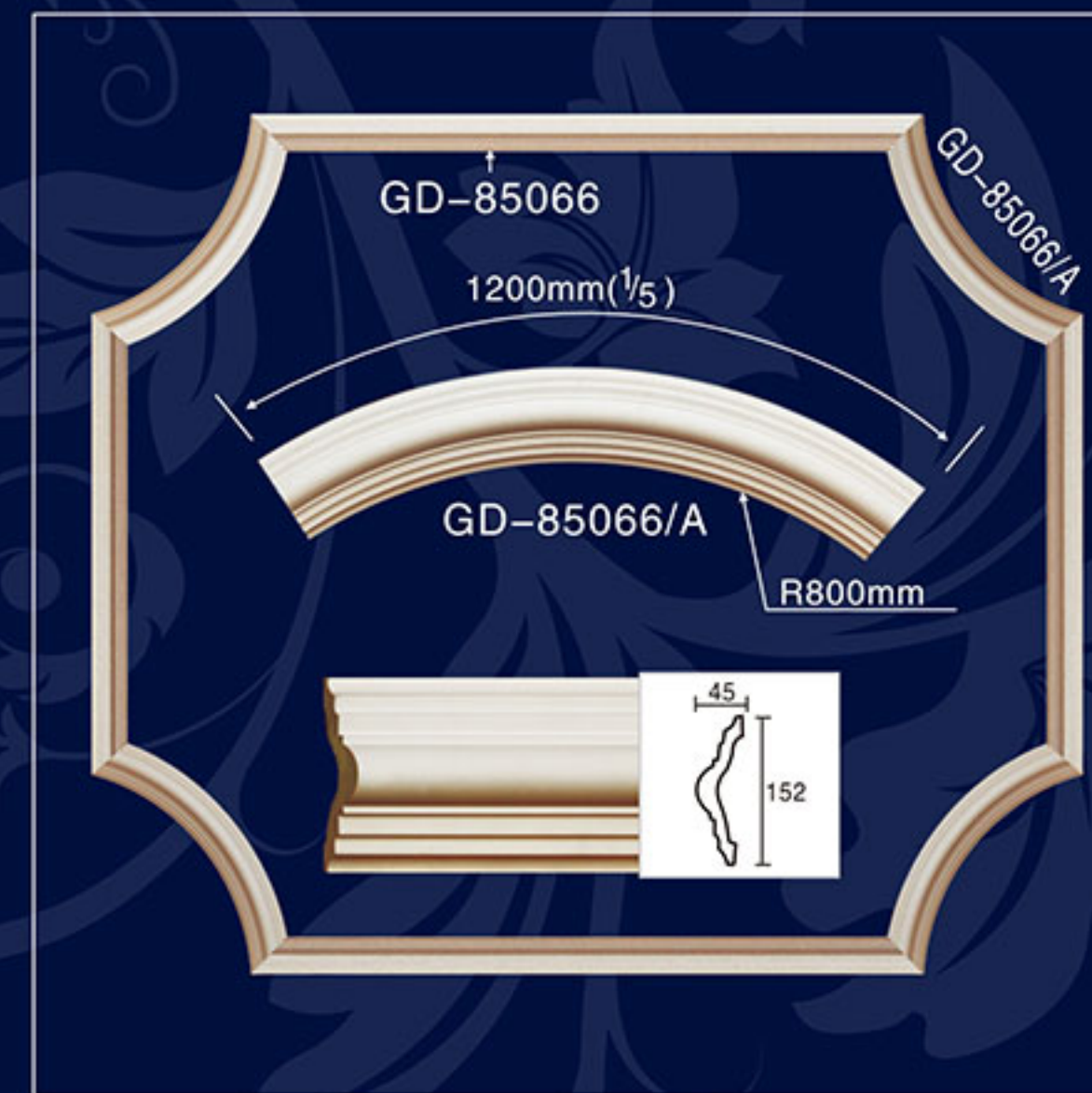
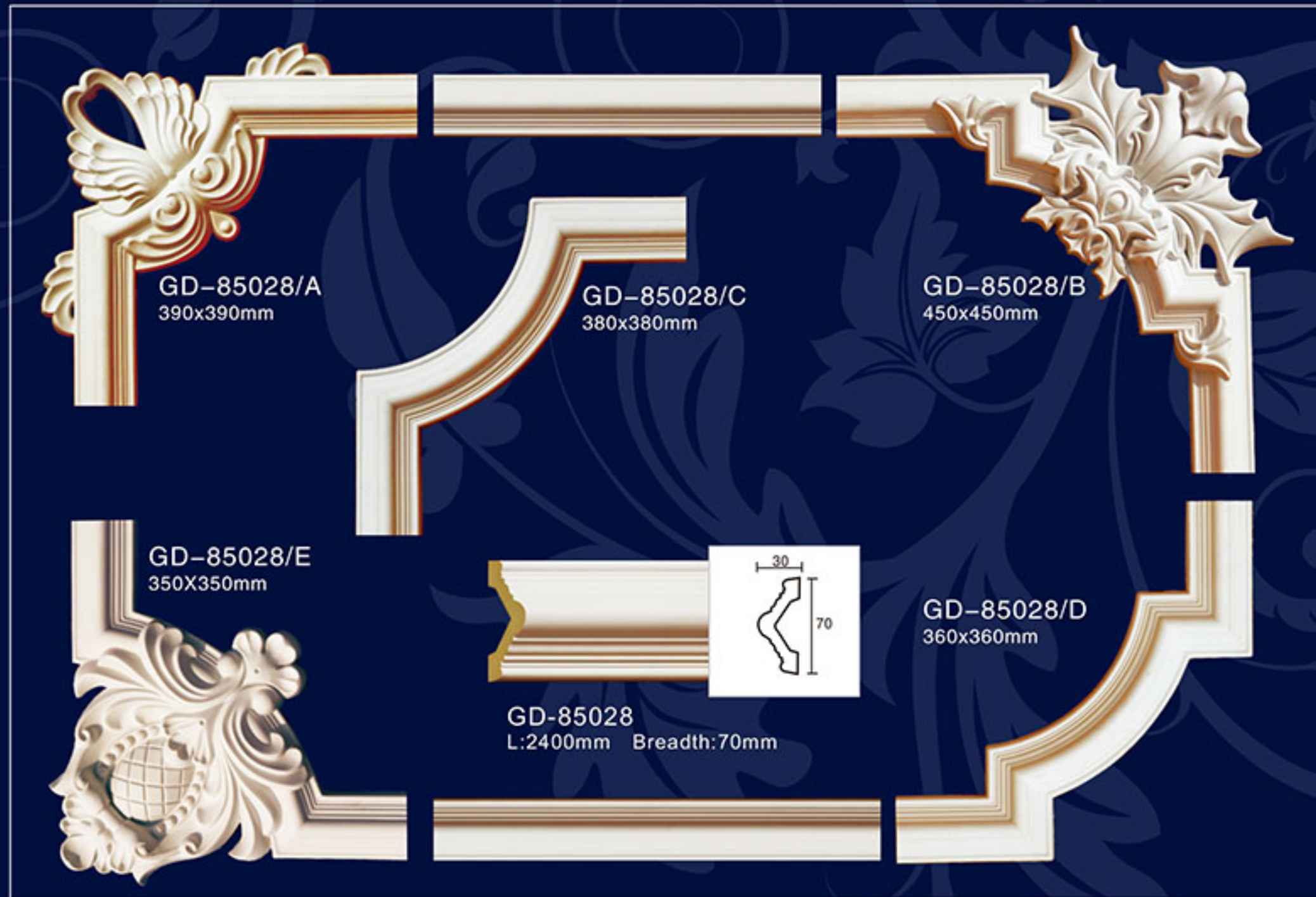
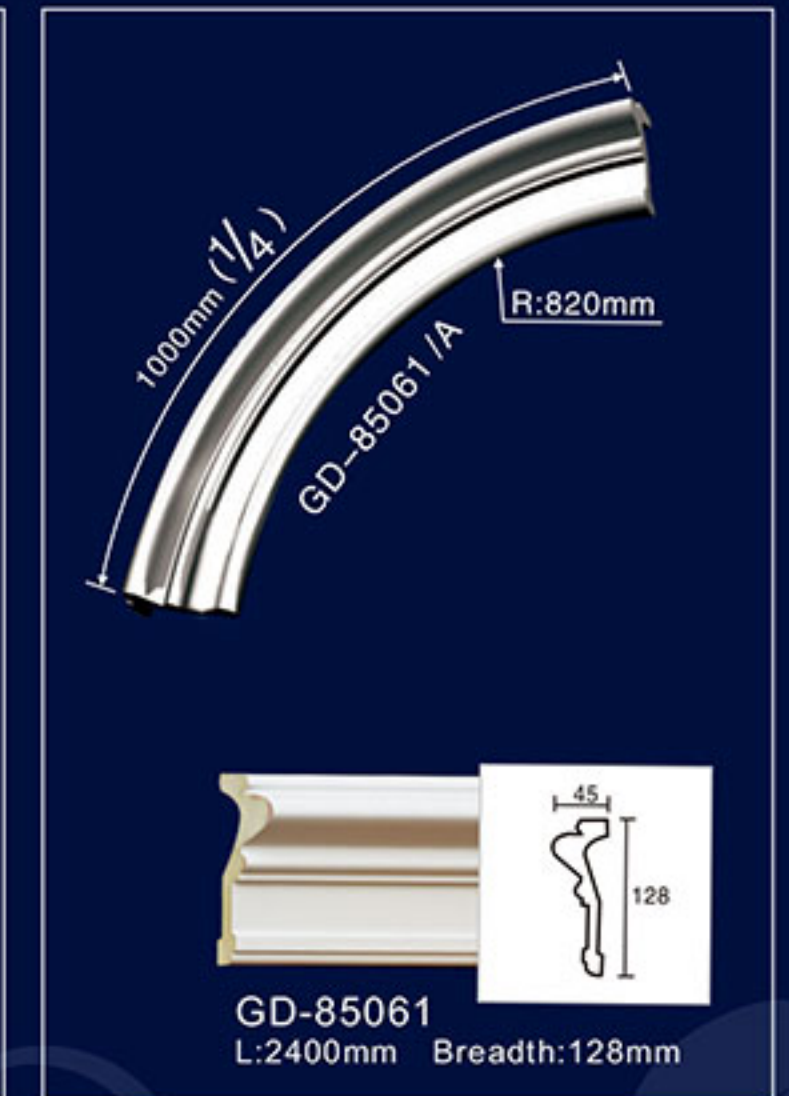
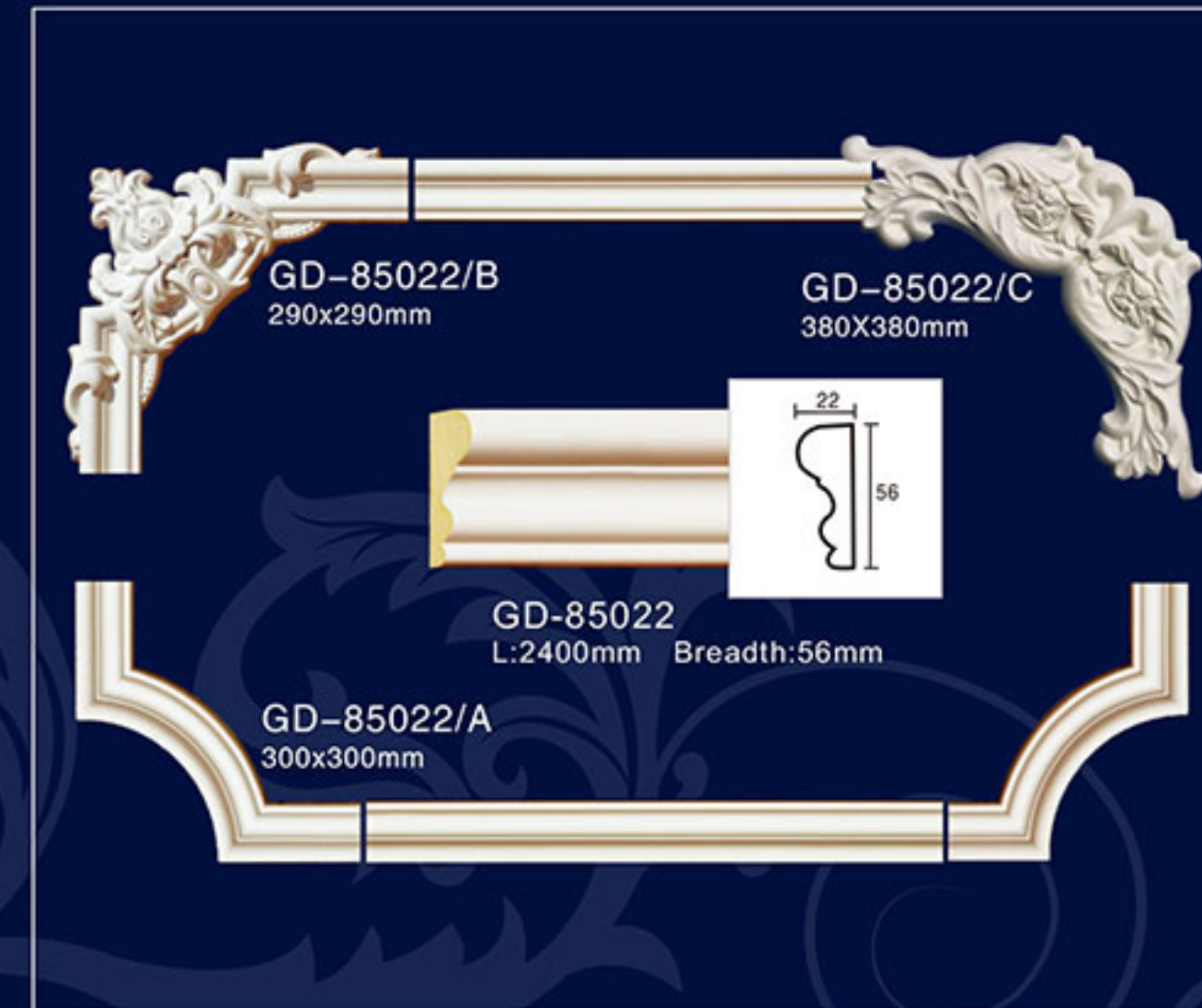
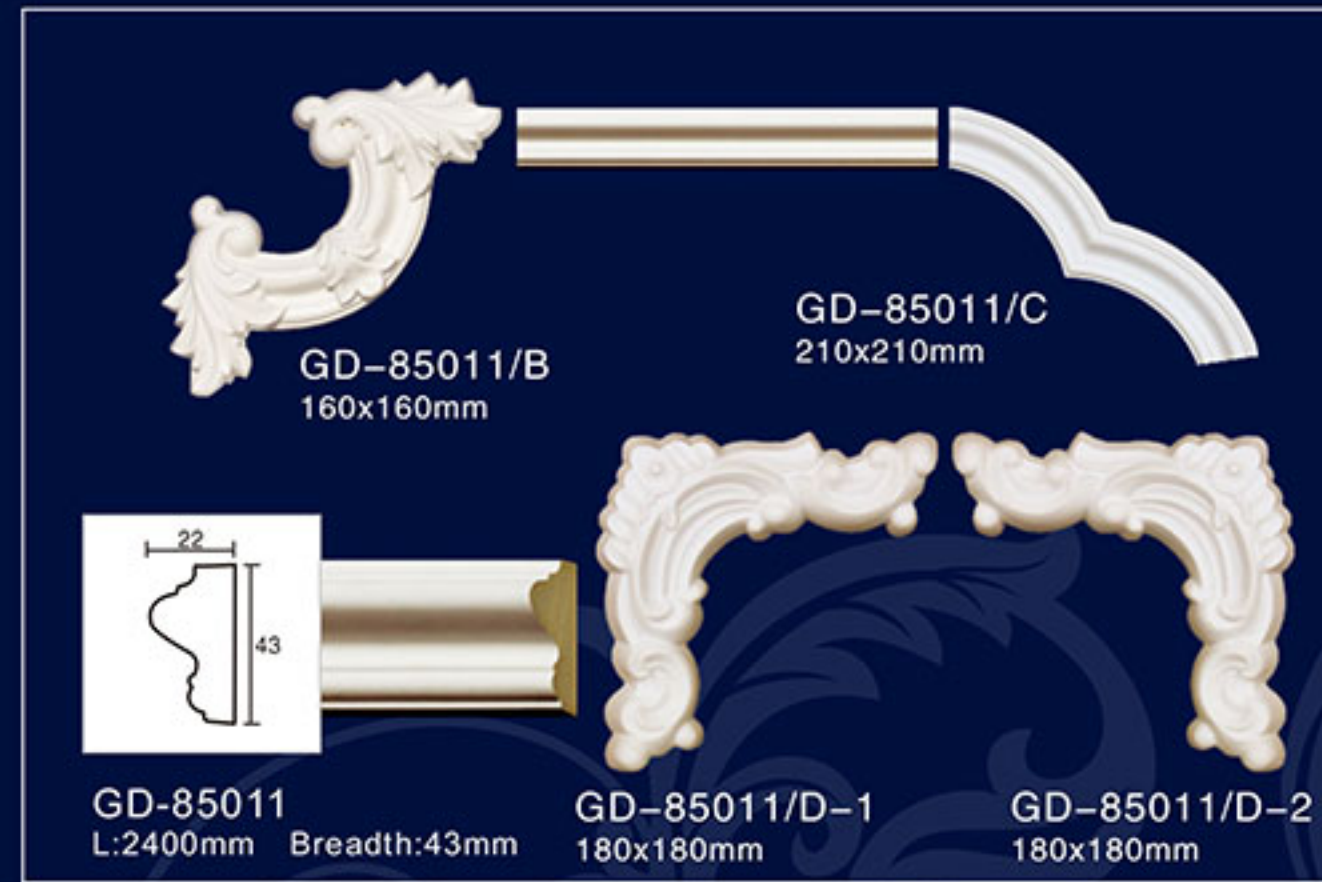


(GD-85010)+(GB-82005-25)+(GD-85010/A)+(GD-85010/C)+(GD-85010L/R)+(GH-80244)

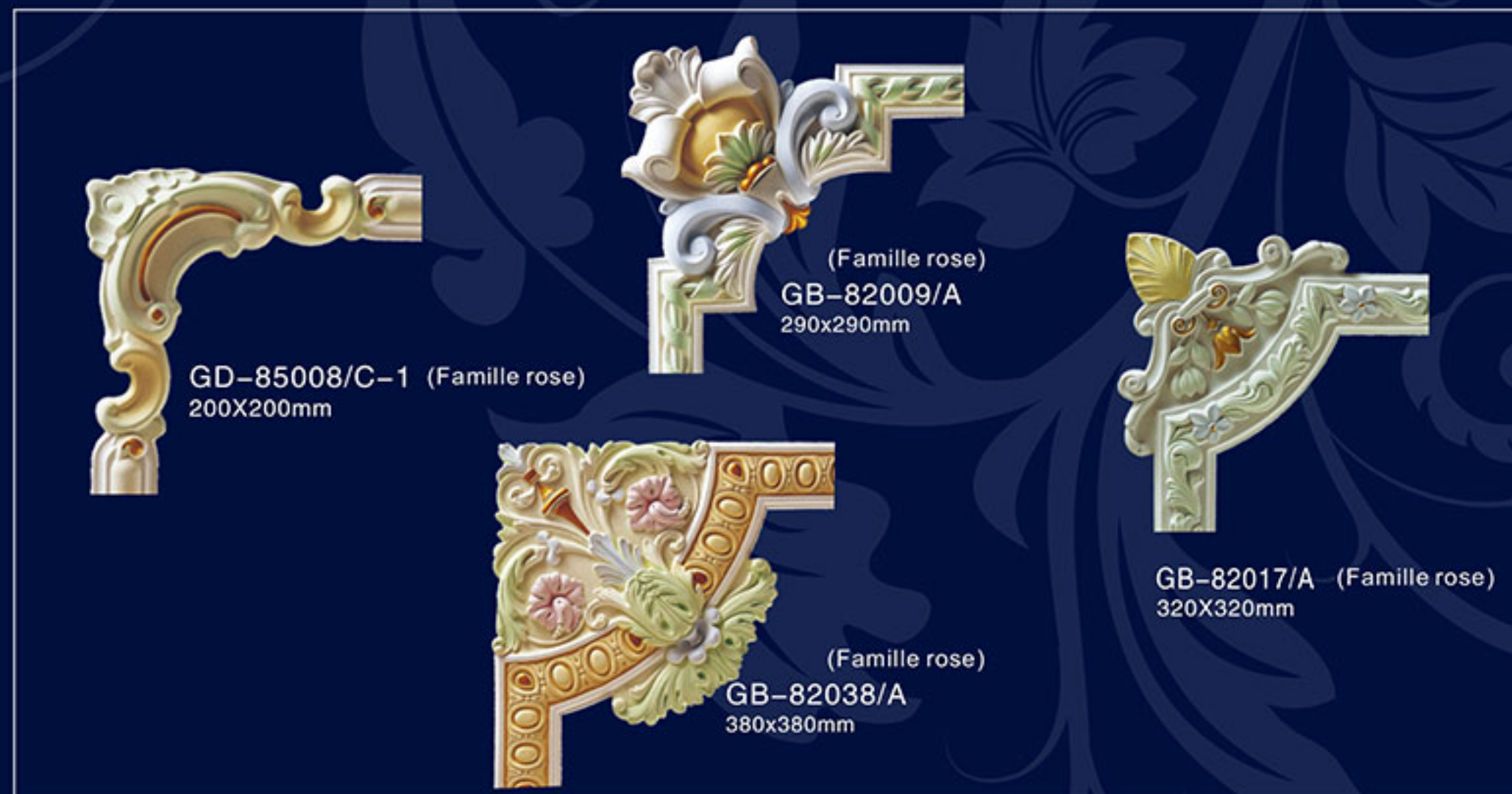
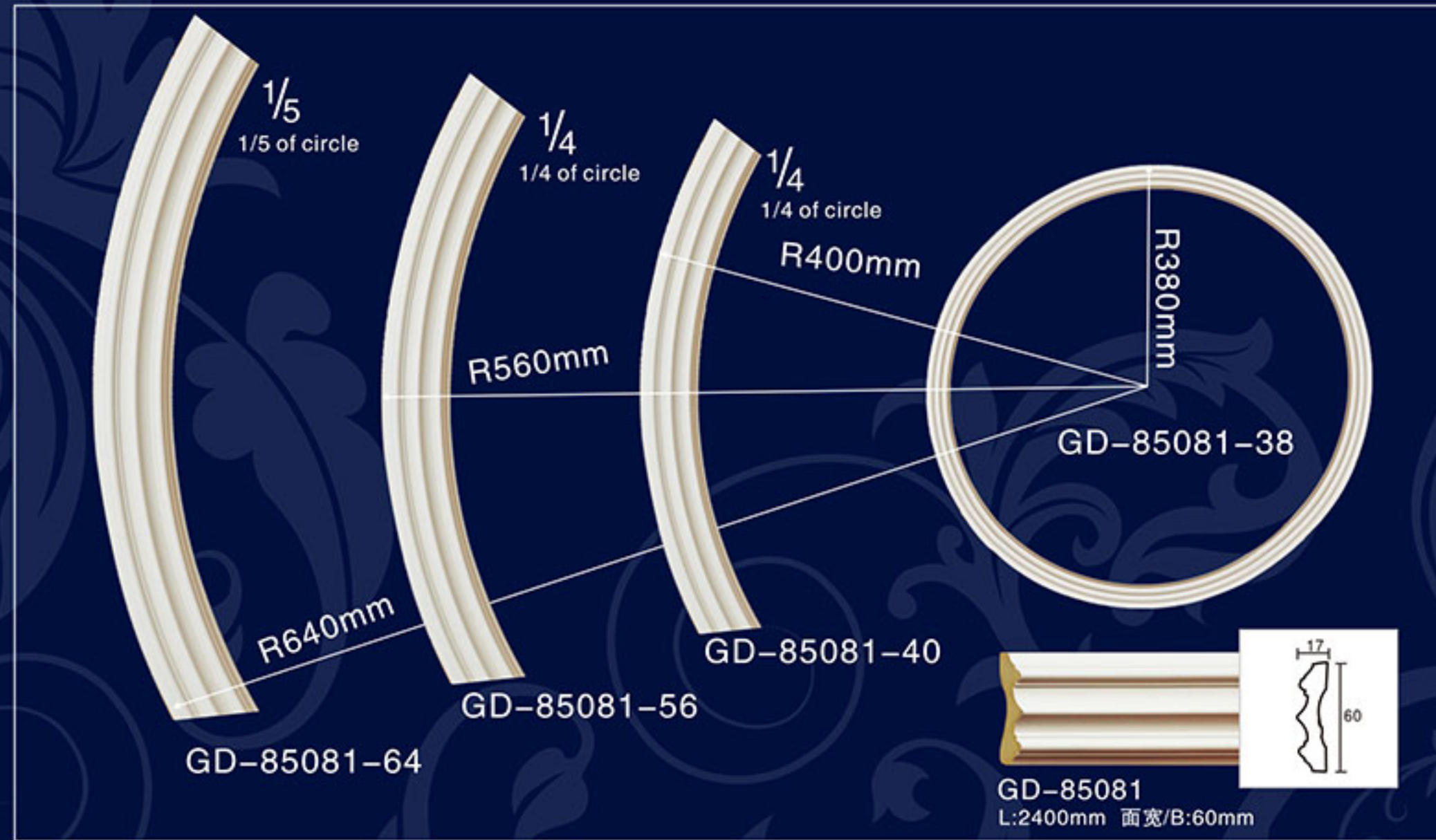


Paine panel mouldings -Corners

Plain panel mouldings -Corners



Paine panel mouldings -Corners



Plain panel mouldings -Corners

